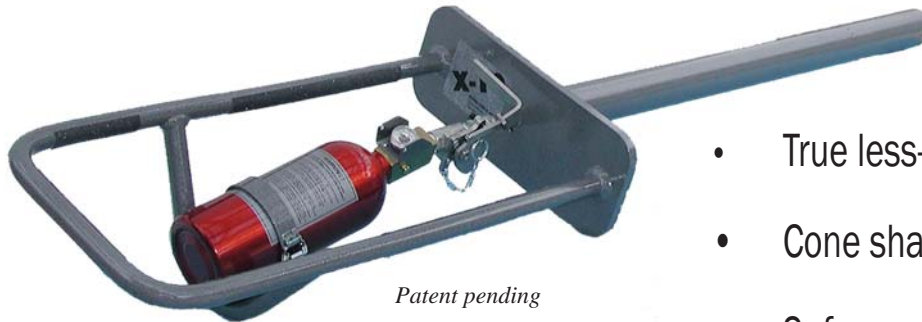


X10 OC Extension Device



Hydro-Force Series

Oleoresin Capsicum Extension Device



Patent pending

- True less-lethal pepper spray ejector
- Cone shaped spray pattern
- Safe, easy operation
- Useful aid for cell extractions

The X-10 was originally conceived as a safe and useful tool used during cell extractions. After more than three years' field operations, the X-10 has been improved to incorporate the features requested by correctional officers. At times inmates may become belligerent and barricade themselves in a cell. A barricade typically consists of mattresses, clothing, and any other material available forced against the cell door so that officers cannot see the inmate or enter the cell. Under these circumstances, it becomes very dangerous for one or more officers to try entering the cell.

The X10 allows officers to safely push back the barricades and introduce an Oleoresin Capsicum (OC) (Pepper Spray) fog into the cell. The Pepper Spray helps subdue the belligerent inmate, allowing the officers to enter the cell without further incident or injury.

The Pepper Spray fog is an evaporated solution of powerful floating-in-air OC particles that will affect inmates regardless of their position in a cell. Holding your breath and/or covering your eyes will provide very little protection from this fog.

The X10 is designed for operation by two or three officers. Two officers place the X10 probe and push the barricade away from the doorway. The food port plate limits probe extension in the cell. The blunt probe tip eliminates the possibility of physical injury to inmates or staff. One of the officers, or a third officer, activates the control lever introducing the OC fog. The amount of OC fog released is controlled by the officer. The officers may want to wear gas masks. The X10 includes a replacable OC cylinder. Each cylinder is capable of approximately 8 one-second bursts. The fog, forced by a high pressure CO2 gas, passes to the end of the X10 probe and is expelled forward through angled vent holes.

The X10 weighs approximately 28.5 pounds, including a full Pepper Spray cylinder. The weight is balanced and large handles provided for easy use by either two or three officers. The X10 is manufactured from heavy gauge aluminum with a powder coat finish to give many years of satisfactory service. The cylinder cradle is specially designed to provide protection in case the X10 must be dropped in an emergency. The Pepper Spray cylinder is easily replaced through a quick release coupling.

Specifications

External Dimensions:

See drawing.

Weight:

28.5 lbs. (approx.) with full cylinder

Capacity:

1.5 lbs. Oleoresin Capsicum formulation

Accessories Available:

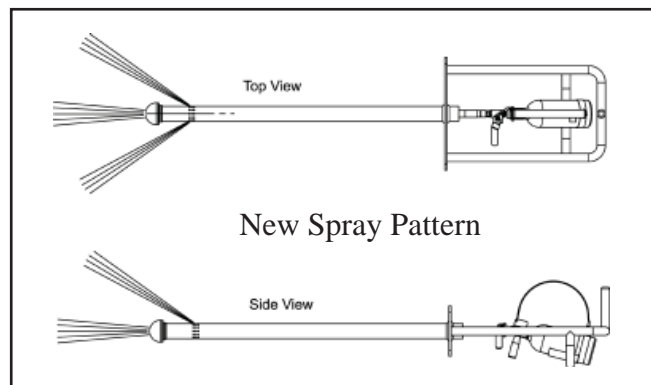
Replacement Pepper Spray Cylinders (1 liter)

Large Pepper Spray Cylinder (2 liters)

Refilling Kit

Refilling solution (Specify formulation)

Instructional video



Notice: This product is available for sale only to pre-qualified State and Federal agencies. Please contact our office for qualification information.

